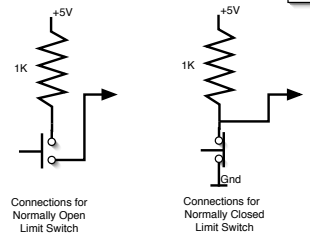
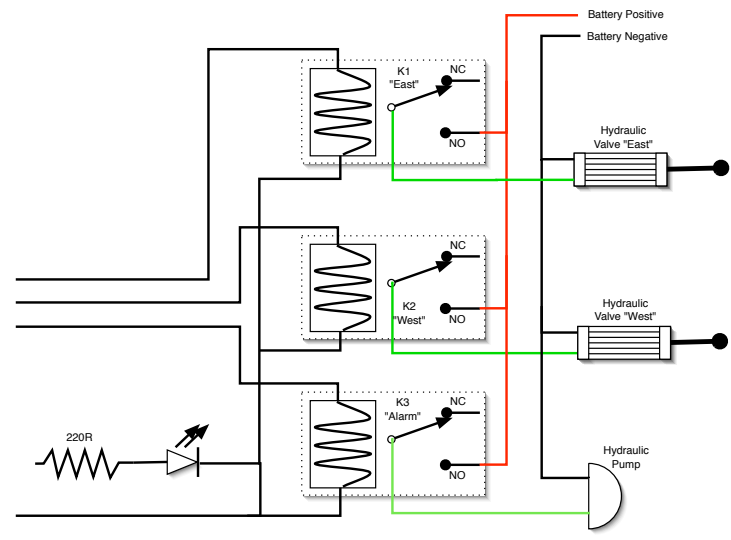


Typical connections for satellite dish linear actuator



Connections for Normally Open Limit Switch
Connections for Normally Closed Limit Switch



Typical connections for hydraulic system